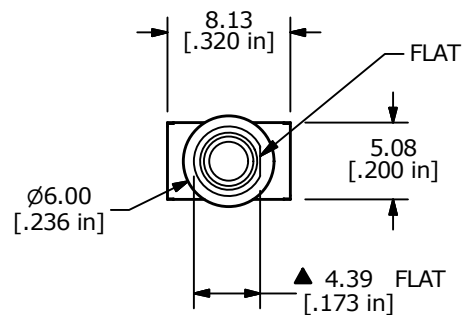
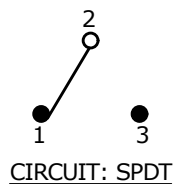


PANEL MOUNTING

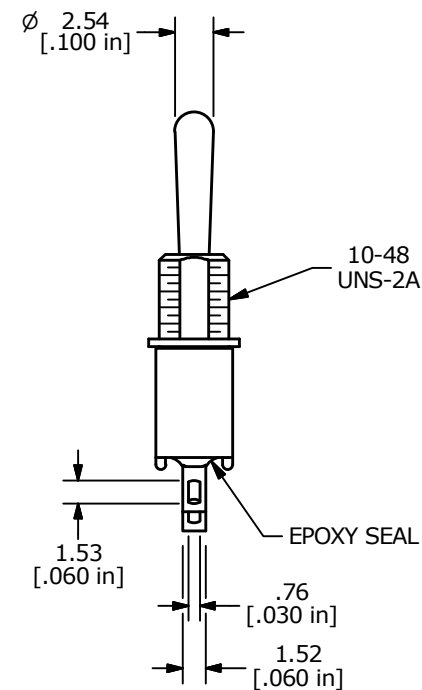
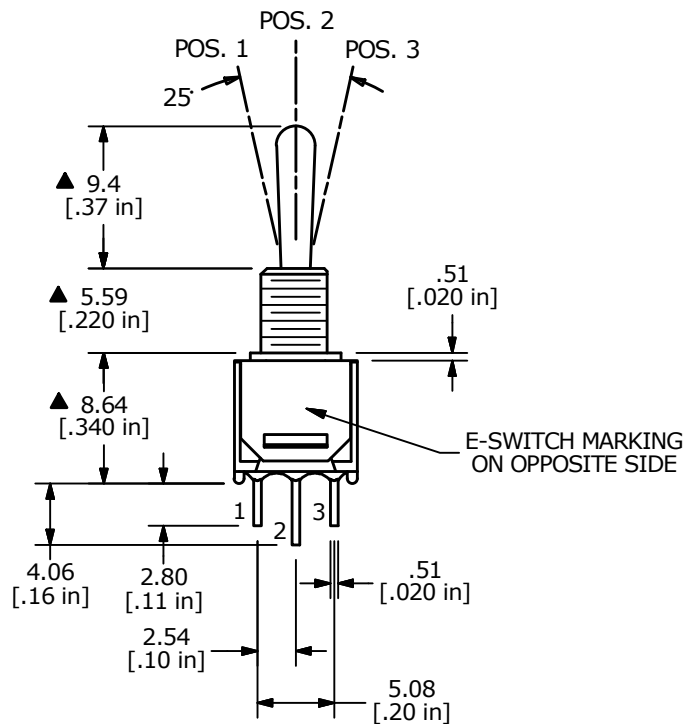


▲ SWITCH FUNCTION		
POS. 1	POS. 2	POS. 3
(ON)	OFF	(ON)
2-3	OPEN	2-1



(ON) = MOMENTARY

- NOTE:
1. ALL DIMENSIONS IN MM [INCH]
  2. GENERAL TOLERANCE: X.X = ±0.4  
X.XX = ±0.25
  3. TERMINAL NUMBERS FOR REF ONLY
  - ▲ 4. CONTACT MATERIAL: SILVER
  5. RATING: 1A @ 250 VAC  
3A @ 120 VAC OR 28 VDC
  6. ELECTRIC LIFE: 30,000 MAKE-AND-BREAK CYCLES AT FULL LOAD.
  7. INSULATION RESISTANCE: 1,000 MEGA-OHM MIN.
  8. DIELECTRIC STRENGTH: 1,000 V RMS @SEA LEVEL.
  9. OPERATING TEMP.: -30°C to 85°C
  10. ▲ DENOTES CRITICAL PARAMETER.
  11. 2011/65/EU (ROHS) COMPLIANT



E	23379	drawing update, add 10-48 thread callout	5/25/18	MW
D	21628	removed (ON) OFF (ON) from drawing	10/15/14	AS
C	16455	redrawn in Inventor Format	9/13/06	BO
REV	PCR NO	DESCRIPTION	DATE	BY

THE INFORMATION CONTAINED IN THIS DOCUMENT IS PROPRIETARY TO E-SWITCH AND IS NOT TO BE COPIED OR TRANSFERRED



TITLE 200MSP4T1B1M1QE				
SCALE 2:1	DATE 9/13/2006	DR BO	DWG T211047	REV E